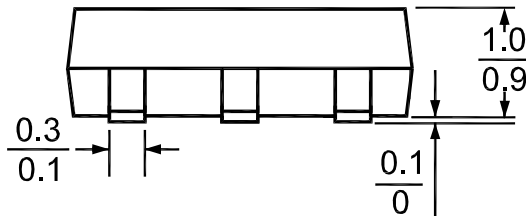
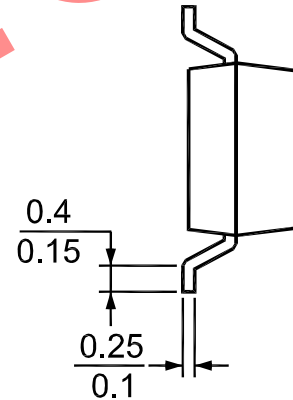
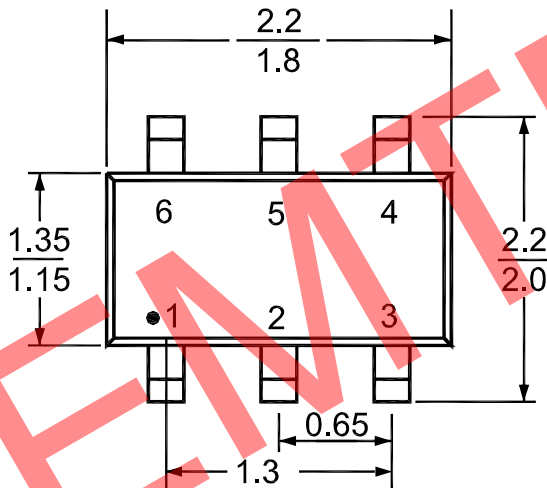
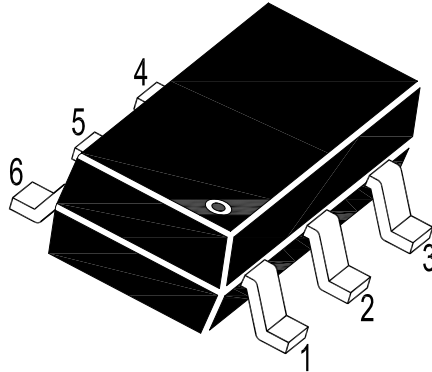
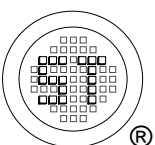


# SOT-363 Package Outline

Package Outline Dimensions (Units: mm)



SEMTECH



**SEMTECH ELECTRONICS LTD.**  
 Subsidiary of Sino-Tech International (BVI) Limited

